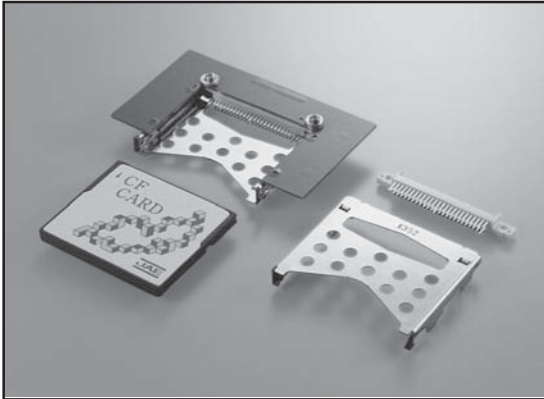


JC26F SERIES CONNECTORS

Two Piece Connectors for Compact Flash Type I and Type II Cards



FEATURES

- Applicable to type I and II cards conforming to the CFA (Compact Flash Association)
- As a CF type I and II compatible connector, enables minimum size in the connector field
- Realizes high resistance to drop shock through a cover structure made by SUS that bears the physical shock of being dropped
- Enables EMI/ESD resistance using SUS-made cover
- User-friendly structure that easily senses reverse insertion
- Double body structure of base and frame which can be easily mounted, using the existing JC26E-BB*** on the base side
- Mounting form is a reverse type only; both 0 and 1.3mm types are available for stand-off

.....

The JC26F series is a non-eject type connector for CF types I and II, which realize both the small volume and high resistance to drop shock required by mobile equipment.

GENERAL SPECIFICATIONS

Number of Contacts	50 pos.
Contact Resistance	40 milliohms max.
Dielectric Withstanding Voltage	500 VAC r.m.s. (for one minute)
Insulation Resistance	1000 megohms min. (after test)
Rated Current	0.5A (per pos.)
Operating Temperature	-20°C to +60°C
Contact Life Durability	10,000 Cycles min.

MATERIALS AND FINISHES*

•Base Side	
Components	Materials/Finishes
Insulator	Glass-filled PPS (UL94V-0, Ivory)
Contact	Copper Alloy Partially Solder, partially Gold Plating over Nickel
•Frame Side	
Components	Materials/Finishes
Frame	Glass-filled LCP (UL94V-0, Black)
Cover	Stainless Steel /Solder Plating over Nickel
Mounting Nuts (2)	Steel, Nickel Plating

ORDERING INFORMATION

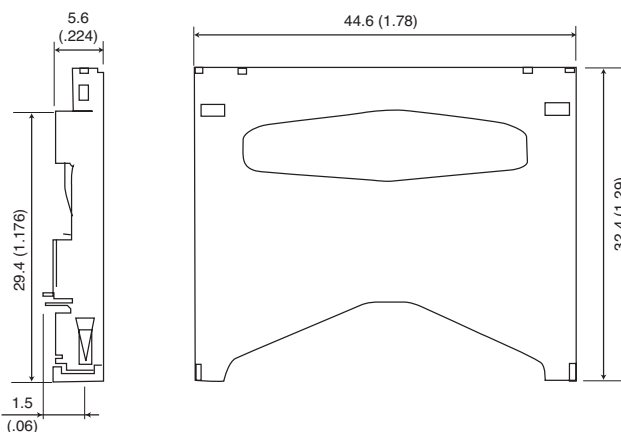
• Base Side

Series	JC26E	B	B	*	E
Base Side					
Positioning Boss					
B – With Boss					
Standoff					
None – 0mm					
13 – 1.3mm (.051")					
Lead Free Version					

• Frame Side

Series	JC26F	F	R	N	*	E
Frame Side						
Mounting Type						
R – Reverse Mounting						
Ejector Button Type						
N – None						
Standoff						
None – No Standoff						
13 – 1.3mm (.051") Standoff						
Lead Free Version						

Connector Profile (Ref.)



• Please consult JAE for verification of product availability.

Dimensions in mm (inches).

