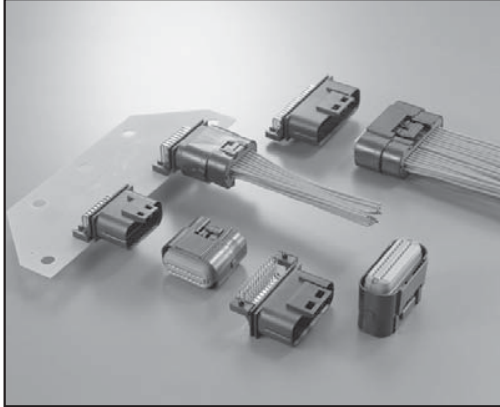


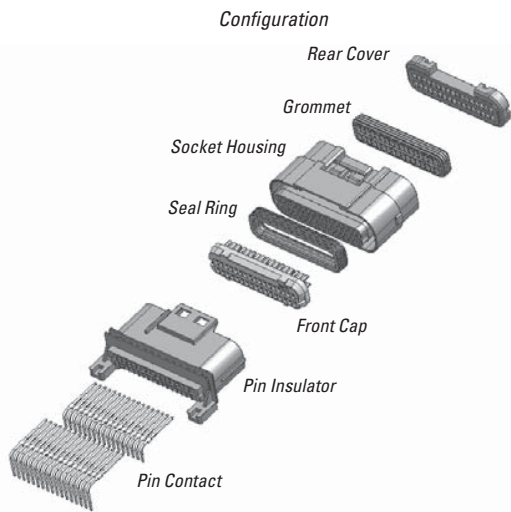
# MX23A SERIES CONNECTORS

## Compact Type Low-profiled Waterproof Connector



### FEATURES

- Low profiled type with board mounting height of 18.3mm and socket connector height of 22.2mm max.
- High reliability double fin structure is adopted for the socket contact and a large front edge chamfer prevents the grommet from damage.
- Incomplete insertion of socket contact into its housing can be easily detected.
- Full water proof grommet is used for socket contact crimping area in order to reduce size.
- Water protection sealing ring is used in the connector's mating area. It offers complete protection from hands touching the insulator wall.
- Reverse type pin connector (pins facing up) is also available.



The MX23A connector can be used for wide range of water proof equipment including automobiles, motorcycles etc. This connector has a waterproof structure and is sealed in its mating area and by a grommet in its wire crimping area for full protection against water. A reverse type pin connector (with pins facing up) is also available for applications requiring different mountings.

### GENERAL SPECIFICATIONS

Number of Contacts	12, 18, 26, 34 pos. (Pin side 2 types: reverse and standard)
Contact Resistance	10 milliohm max.
Withstand Voltage	AC1000Vr.m.s for one minute
Operating Temperature	-40°C to +125°C including temperature rise caused by power distribution
Rated Current	3A
Insulation Resistance	100 megohm min.
Rated Life	50 Cycles

### Applicable Wire

Cable Type	AVSS, AVS (partially)
Cross Section of Conductor	0.3 to 1.25mm <sup>2</sup>
A.W.G. No.	#22 to 16
Sheath Diameter	1.6 dia. to 2.2 dia. mm

### MATERIALS AND FINISHES\*

Components	Materials/Finishes
Socket Housing	Glass Filled PBT
Front Cap	Glass Filled PBT
Rear Cover	Glass Filled PBT
Grommet	Silicon Rubber
Seal Ring	Silicon Rubber
Dummy Pin	Glass Filled PBT
Pin Insulator	Glass Filled PBT
Contacts	Pin: Copper Alloy/Tin Plating Socket: Copper Alloy/Tin Plating

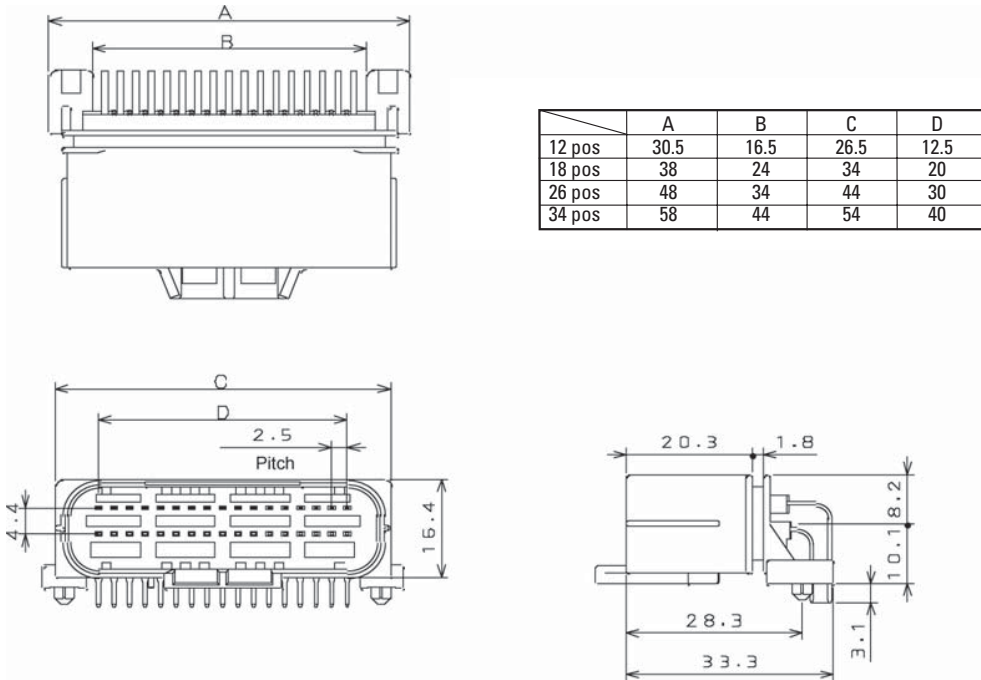
Consult JAE for "Ordering Information".

• Please consult JAE for verification of product availability.  
Dimensions and specifications subject to change without notice.

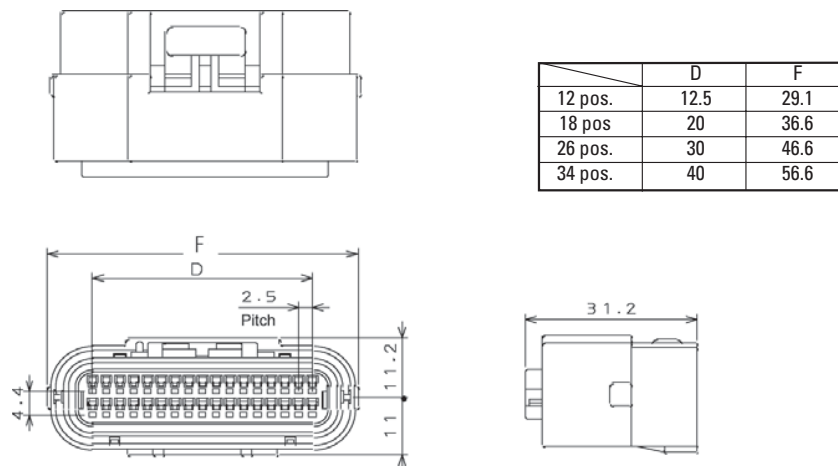
# MX23A SERIES CONNECTORS

## Compact Type Low-profiled Waterproof Connector

Pin Connector (Reverse)



Socket Housing



• Please consult JAE for verification of product availability.

Dimensions in mm (inches).