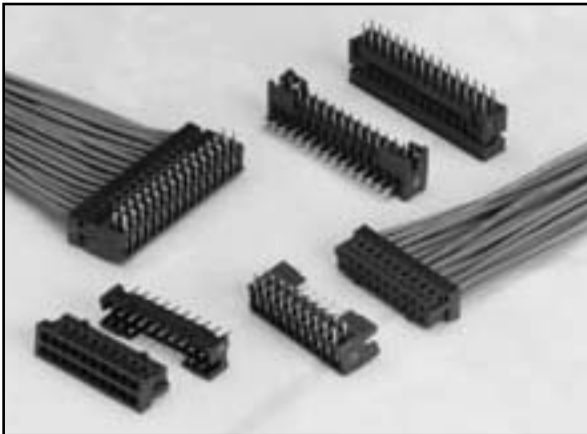


LY SERIES CONNECTORS

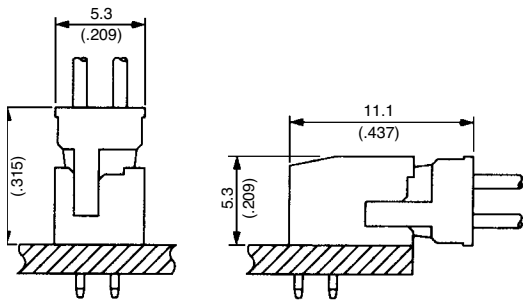
2.0mm (.079") Contact Spacing, PCB-to-Cable (Crimp Type) Connectors



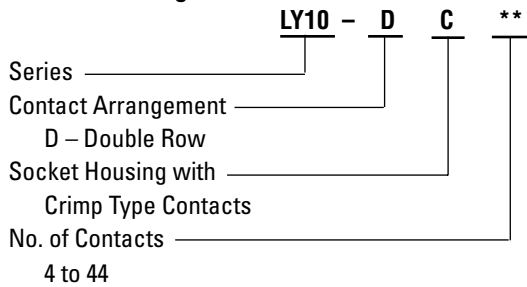
FEATURES

- Snap latch housing resists shock and vibration
- UL94V-0 rated insulator material
- Dual wipe stamped snap-in socket contacts
- Pin headers are available in straight and right angle PCB mounting configurations
- Both gold and tin plated contacts are available
- Polarized housing prevents mismatching

Connector Profile (Ref.)



•Socket Housing



LY Series connectors are low profile PCB-to-cable connectors used for PC peripherals. The LY Series connectors have a snap latch mechanism with a box-type housing. A polarizing feature prevents mismatching.

GENERAL SPECIFICATIONS

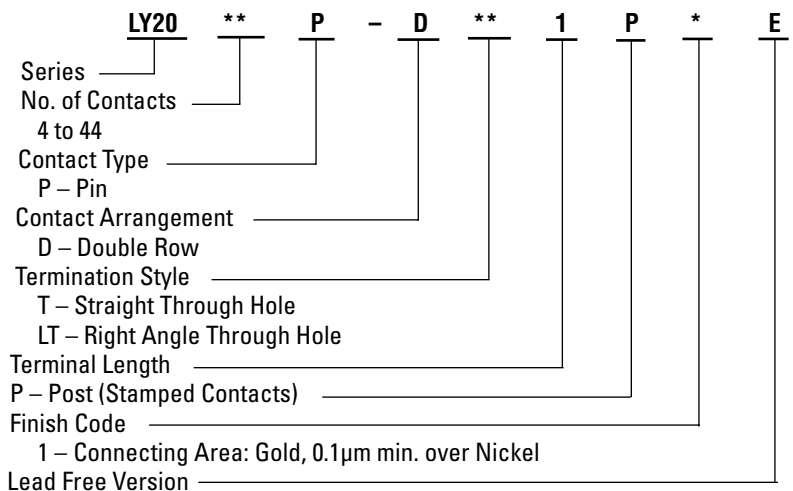
Number of Contacts	4 to 44 (Even numbers only)
Contact Spacing	2.0mm (.079") Grid
Current Rating	3 Amp per contact
Operating Voltage	250 VAC r.m.s.
Dielectric Withstanding Voltage	500 VAC r.m.s. (for one minute)
Insulation Resistance	100 megohms min. (after test)
Contact Resistance	20 milliohms max. (after test)
Operating Temperature	-40°C to +85°C
Applicable PCB Thickness	1.6mm (.063")
Applicable Wire Size	#22 to #30 AWG (stranded)

MATERIALS AND FINISHES*

Description	Materials/Finishes
Insulator	Glass-filled 6-6 Nylon (UL94V-0, Brown)
Contacts	Phosphor Bronze Code 1. Connecting Area: Gold, 0.1µm min. (.000004") over Nickel

ORDERING INFORMATION

•Pin Header



• Please consult JAE for verification of product availability.

Dimensions in mm (inches).