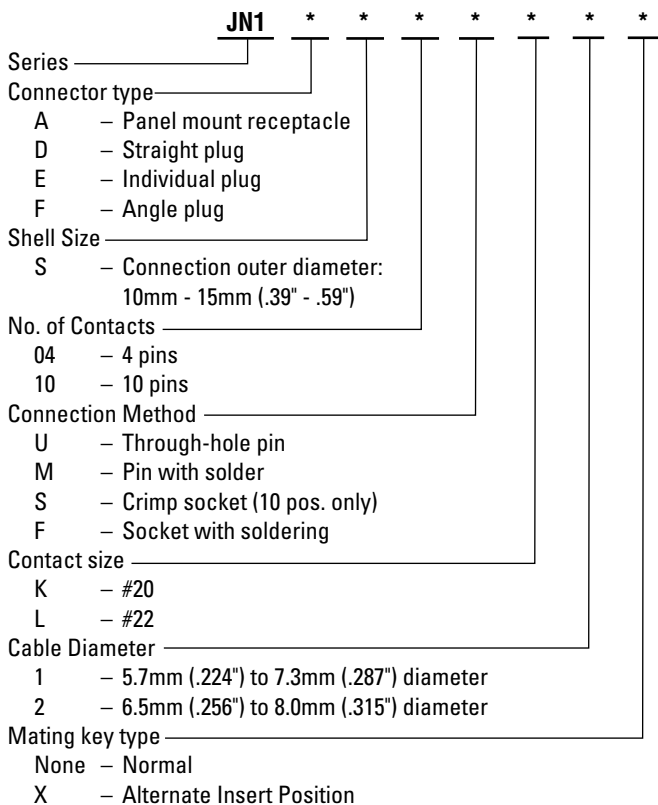


JN1 SERIES CONNECTORS

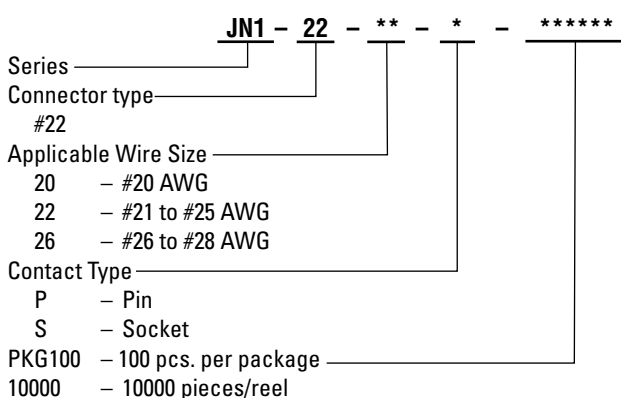
General Purpose Waterproof, Miniature Connectors

ORDERING INFORMATION

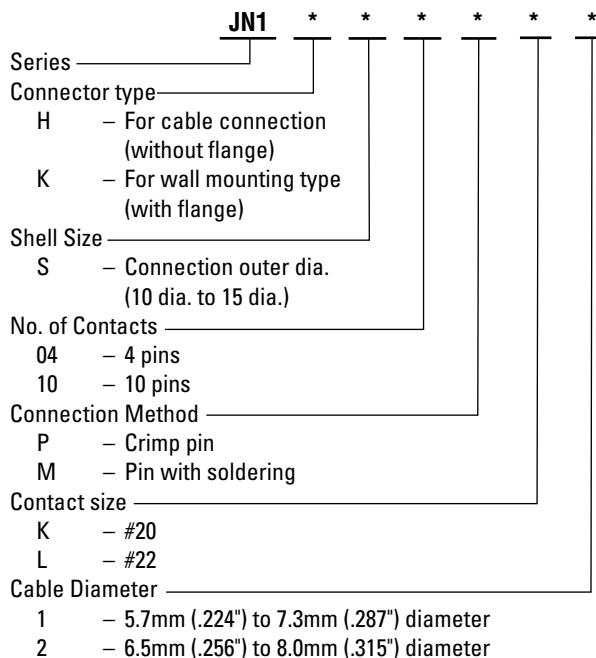
• Receptacle/Plug



• Contacts



• Relay Receptacle



TOOLING

Hand Tools

CT150-2-JN1-D	#20, #25 AWG
CT150-2-JN1-E	#21, #23, #25 AWG
CT150-2-JN1-B	#22 to #24 AWG, #26 to #28 AWG

Semi Automatic Crimp Machine

CP215-4B Press
 350-JN1-2C Applicator
 For all wire sizes

Color of bushing is decided by wire size.
 5.7 to 7.3 diameter is black, 6.5 to 8.0 diameter is gray.

• Please consult JAE for verification of product availability.

Dimensions and specifications subject to change without notice.