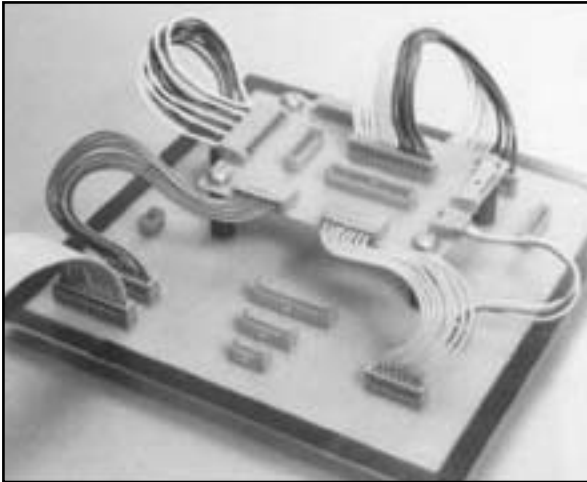


IL-Z SERIES CONNECTORS

1.25mm (.049") Contact Spacing, PCB-to-Cable (Crimp Type) Connectors



IL-Z Series connectors are designed for board-to-cable applications. High-density 1.25mm (.049") contact spacing (single row), 5.2mm (.205") high when mated vertically. Low-profile design includes board-mounted pin headers (straight and right-angle) and wire-terminated socket housings (with crimp socket contacts).

The IL-Z Series has a wide variety of applications, including commercial and household appliances, VTR's, television, office automation equipment and measuring instruments.

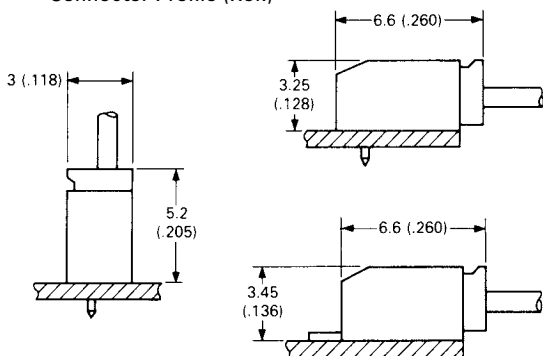
FEATURES

- Crimp type for efficient wire termination
- High reliability socket contacts
- High-density packaging and automatic mounting
- SMT and through hole pin headers available
- Boxed pin header design prevents mismatching
- Anti-wicking feature

GENERAL SPECIFICATIONS

| | |
|---------------------------------|---------------------------------|
| Number of Contacts | 2 to 15 |
| Contact Spacing | 1.25mm (.049"), single row |
| Current Rating | AC/DC 1 Amp per contact |
| Dielectric Withstanding Voltage | 500 VAC r.m.s. (for one minute) |
| Insulation Resistance | 100 megohms min. |
| Contact Resistance | 20 milliohms max. |
| Operating Temperature | -40°C to +70°C |
| Applicable PCB Thickness | 0.6 to 1.2mm (.024 to .047") |
| Applicable Wire | #32 to #28 AWG (stranded) |
| Voltage Rating | AC/DC 200V |

Connector Profile (Ref.)



MATERIALS AND FINISHES*

| Description | Materials/Finishes |
|----------------|------------------------------------------------------------------------------------------------------------------------------|
| Insulator | Through hole pin header and socket housing: 6-6 Nylon (UL94V-0, Light Brown) SMT pin header: PPS (UL94V-0, Light Gray) |
| Pin Contact | Brass/Tin plating |
| Socket Contact | Phosphor Bronze/Tin plating |
| Hold-down | Phosphor Bronze/Tin plating |

* Please consult JAE for verification of product availability.

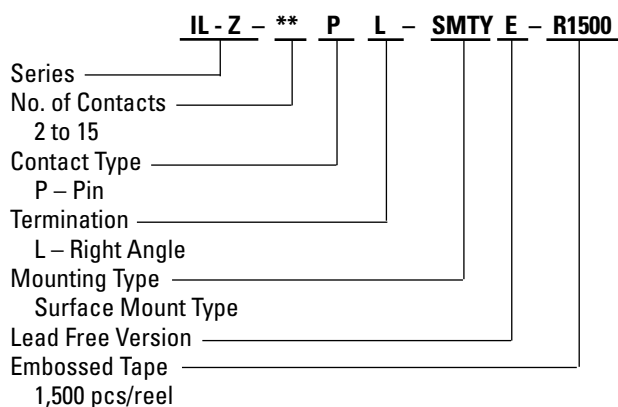
Dimensions in mm (inches).

IL-Z SERIES CONNECTORS

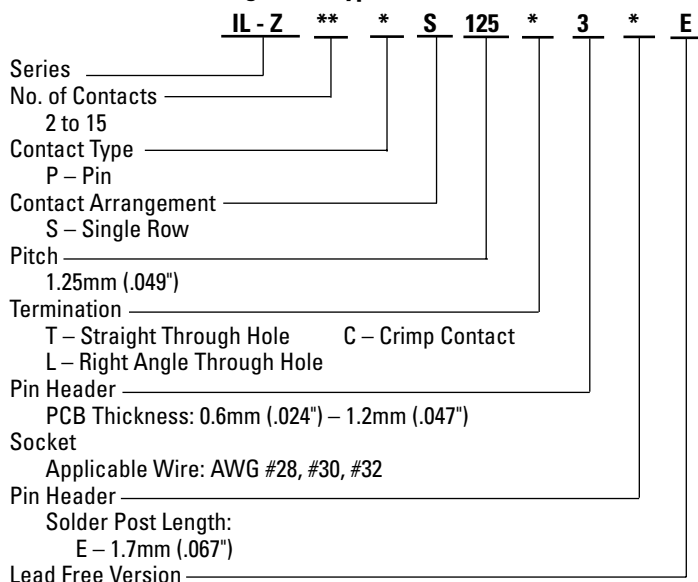
1.25mm (.049") Contact Spacing, PCB-to-Cable (Crimp Type) Connectors

ORDERING INFORMATION

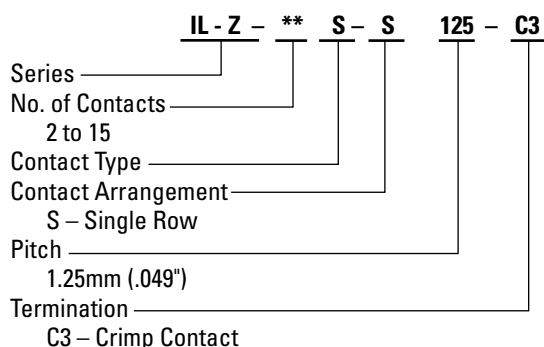
• Pin Header (SMT Type)



• Pin Header (Through Hole Type)



• Socket Housing



• Applicable Wire

| Wire Size (AWG) | Insulation Outer Diameter |
|-----------------|------------------------------------|
| #32 - #30 | 0.5mm to 0.8mm (.020" to .031") |
| #28 | 0.7mm to 1.0mm (.028" to .039") |

Tooling

| Description | Part Number | |
|-------------------------|---------------------------------|------------|
| | Semi-Automatic Crimping Machine | Applicator |
| Press | | CP215-4B |
| Hand Crimping Tool | CT150-C-ILZ | |
| Contact Insertion Tool | IT2051-ILZ | |
| Contact Extraction Tool | ET-ILZ | |

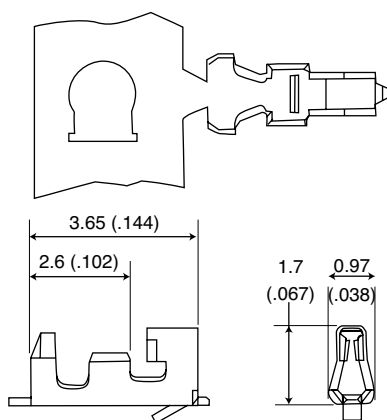
Pre-Crimp Leads

| | |
|----------------|-------------------------------------|
| ILZ-SL100SS-10 | 100 length crimp lead on both ends |
| ILZ-SL200SS-10 | 200 length crimp lead on both ends |
| ILZ-SL300SS-10 | 300 length crimp lead on both ends |
| ILZ-SL100SE-10 | 100 length crimp lead on single end |
| ILZ-SL200SE-10 | 200 length crimp lead on single end |
| ILZ-SL300SE-10 | 300 length crimp lead on single end |

The digit 10 denotes crimp 10 leads in a bag.

Socket Contact (Crimp Type)

Part Number: IL-Z-C3-A-15000



(Note: Contacts 15,000 pcs per reel)

• Please consult JAE for verification of product availability.

Dimensions and specifications subject to change without notice.