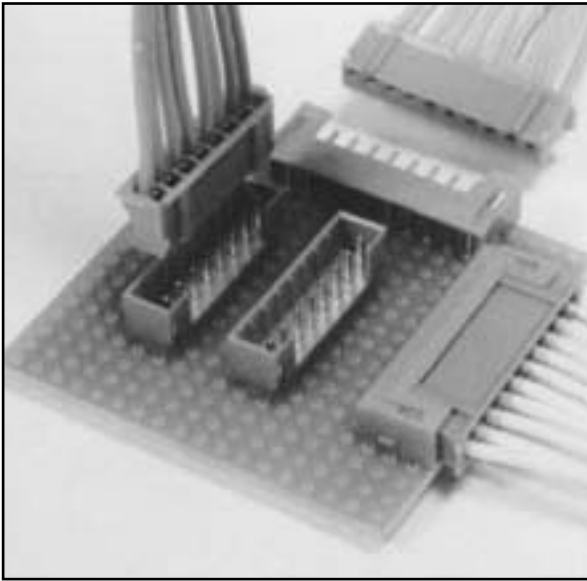


IL-S SERIES CONNECTORS

2.0mm (.079") Contact Spacing, PCB-to-Cable (Crimp Type) Connectors



IL-S Series connectors are low profile connectors with 2.0mm (.079") contact spacing for PCB-to-Cable applications.

High reliable crimp termination socket contacts permit fast and simple semi-automatic termination, resulting in labor and cost savings.

IL-S Series connectors are ideal for use in VTR, television, audio and other consumer electronic products. Additional applications include OA equipment, computers, measuring equipment, telecommunications, and vending machines.

FEATURES

- Box type pin header prevents mismatching
- Highly reliable socket contacts
- Both semi-automatic crimp termination machine and hand crimping tool are available
- Design prevents flux wicking
- Pin headers are available in straight, right angle and bottom through hole types
- Lead free

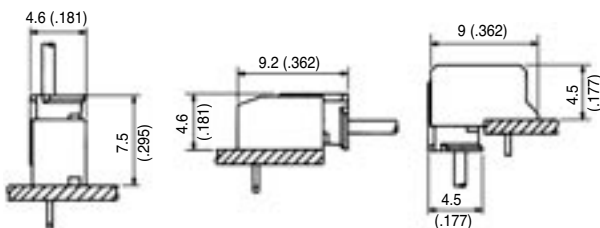
GENERAL SPECIFICATIONS

Number of Contacts	2 to 15 (Bottom type – 2 to 12)
Contact Spacing	2.0mm (.079"), single row
Current Rating	3 Amp per contact
Operating Voltage	300 VAC, 400 VDC
Dielectric Withstanding Voltage	1000 VAC r.m.s. (for one minute)
Insulation Resistance	100 megohms min.
Contact Resistance	20 milliohms max.
Applicable Wire	#24 to #28 AWG, stranded
Applicable PCB Thickness	1.2 to 1.6mm (.047" to .063")
Operating Temperature	-40°C to +85°C

MATERIALS AND FINISHES*

Description	Materials/Finishes
Insulator	6-6 Nylon (UL94V-0, Light Brown)
Pin Contact	Brass/Tin plating over Nickel
Socket Contact	Phosphor Bronze/Tin Plated

Connector Profile (Ref.)



* Please consult JAE for verification of product availability.

Dimensions in mm (inches).

IL-S SERIES CONNECTORS

2.0mm (.079") Contact Spacing, PCB-to-Cable (Crimp Type) Connectors

ORDERING INFORMATION

• **Pin Header** **IL-S - 5 P - S 2 T 2 - E F**

Series **IL-S**
 No. of Contacts **5**
 Contact Type **P** – Pin
 Contact Arrangement **S** – Single Row
 Contact Pitch **2**
 2.0mm (.079")
 Termination **T** – Straight Through Hole
L – Right Angle Through Hole
UX – Bottom Through Hole
 Applicable PCB Thickness: 1.2 to 1.6 (.047 to .063)
 Terminal Length: 3.5mm (.138")
 DIP Side Kinked (except bottom type)

• **Socket Housing** **IL-S - 5 S - S 2 C 2**

Series **IL-S**
 No. of Contacts **5**
 Contact Type **S** – Socket
 Contact Arrangement **S** – Single Row
 Contact Spacing **2**
 2.0 (.079)
 Termination **C** – Crimp
 Applicable Wire Size **2**
 AWG #28 to #24
 Modification Code **2**

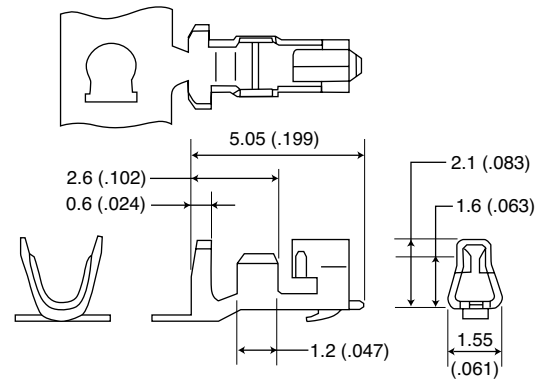
• Socket Contact (Crimp Type)

Part No. : **IL-S-C2-10000** (1000 Contacts per reel)

Applicable Wire (Stranded)		Hand Crimping Tool
AWG #	Wire Insulation Outer Dia.	
#28 to #26	ø1.0 to ø1.3mm (.039 to .051")	CT150-2-ILS
#26 to #24	ø1.2 to ø1.6mm (.047 to .063")	CT150-4-ILS
#28 to #26	ø0.7 to ø1.0mm (.028 to .039")	CT150-2-ILSmk2
#26 to #24	ø0.9 to ø1.2mm (.035 to .047")	

Semi-Automatic Crimping Machine: 350-ILS-2

Contact Extraction Tool: ET-ILS-N03



• Please consult JAE for verification of product availability.
 Dimensions and specifications subject to change without notice.